
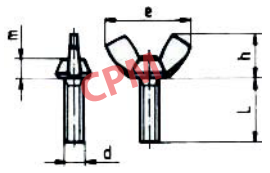


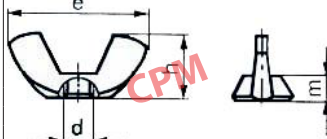



WING SCREWS					
สกรูหางปลา					
					
d ( Diameter)	M4	M5	M6	M8	M10
p (pitch)	0.7	0.8	1.0	1.25	1.5
e	20	26	33	39	
h	10.5	13	17	20	
Length (mm.)	Size				
	M4	M5	M6	M8	M10
10	1,000	800			
12	1,000	500	500		
15	1,000	500	500	250	
20	500	500	450	250	150
25	500	500	400	250	150
30	500	500	300	200	150
35	500	400	300	200	100
40	500	400	200	150	100
50	500	300	200	100	100

WING NUTS COLD FORGED																
หัวน็อตหางปลาเหล็กเหนียว																
																
d ( Diameter)	3/16	1/4	5/16	3/8	1/2	5/8	3/4	M4	M5	M6	M8	M10	M12	M16	M20	
e								20	26	33	39	51	65			
h								10.5	13	17	20	25	33.5			
m								3.2	4.0	5.0	6.5	8.0	10			
Size	เกลียว p	Pcs/Box	Unit Price													
3/16(#10)	24 G	1,000														
1/4	20 G	500														
5/16	18 G	500														
3/8	16 G	250														
1/2	12 G	150														
5/8	11 G	50														
3/4	10 G	50														
Size	เกลียว p	Pcs/Box	Unit Price													
M4	0.70	1,000														
M5	0.80	1,000														
M6	1.00	500														
M8	1.25	500														
M10	1.50	250														
M12	1.75	150														
M16	2.00	50														
M20	2.50	30														